

LG Miraclass

Cinema Experience Redefined

LDAA025



* All images in this datasheet are for illustrative purposes only.



Sharp Contrast Ratio



Vivid and Expressive Colors



Adjustable Luminance



3D Viewing Available



User-friendly Operation



Dolby Compatibility



Discover New Depths with True Black Immersion

With its series of individual, self-emissive LEDs, the LED screen of LG Miraclass adds extra depth to the dark end of the spectrum. This results in distinctive and eye-catching contrast, taking the viewing experience to a whole new level.



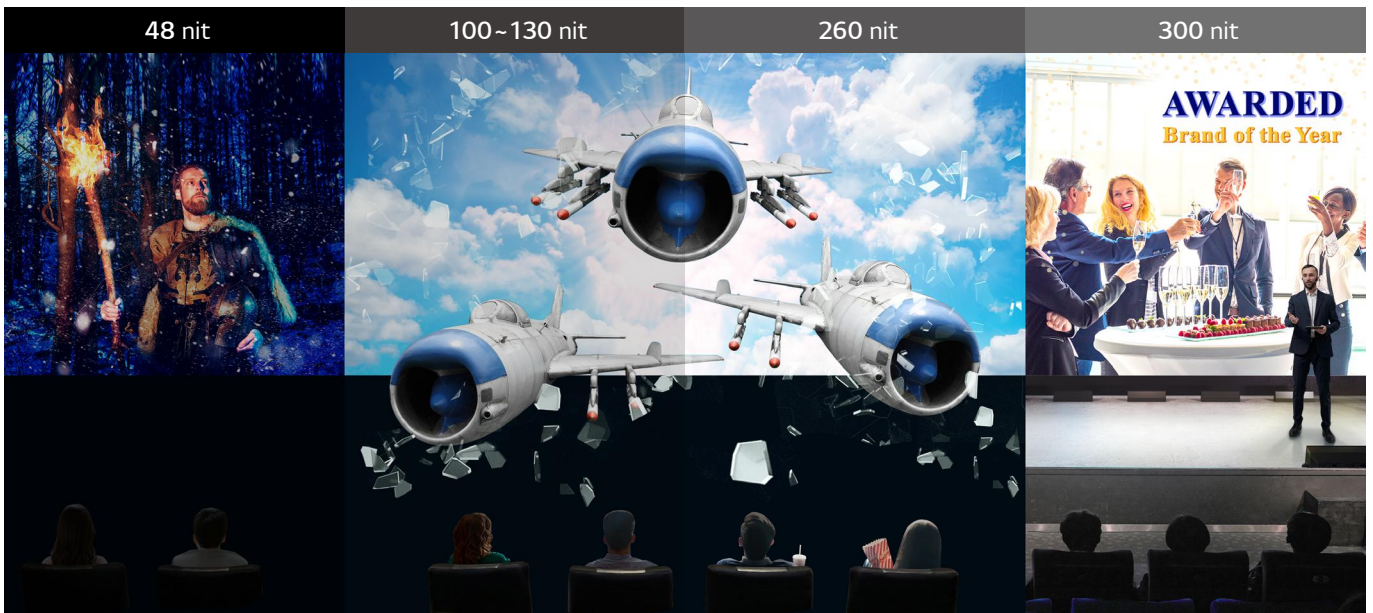
Feast Your Eyes on a Festival of Color

With 24-bit color processing, capable of displaying 68.7 billion color variants, the LG Miraclass reproduces DCI-P3 colors just as the content creators intended. From elegant dark tones to vibrant primary colors and warm earthy hues, movie goers can enjoy a chromatic viewing experience unlike any other.



Brightness Brings Detail to Life

Unlike standard projectors, which use a single light source, the LG Miraclass is made up of self-emissive LEDs working independently. The result is bright and brilliant picture quality, with no corner dimming or image distortion. From top to bottom, enjoy clear and consistent image representation.



Brightness to Illuminate and Inspire

Adjust the brightness to your preferred setting, with five stages ranging from 48 to 300 nits. Whether hosting intimate movie screenings or corporate presentations, personalize your viewing experience and make your media the highlight.



Take Picture Quality to Another Dimension

3D imaging from LG Miraclass provides superior visuals. With consistent brightness and clarity from corner to corner of the screen, audiences can fully immerse themselves in the 3D viewing experience, wherever they sit.

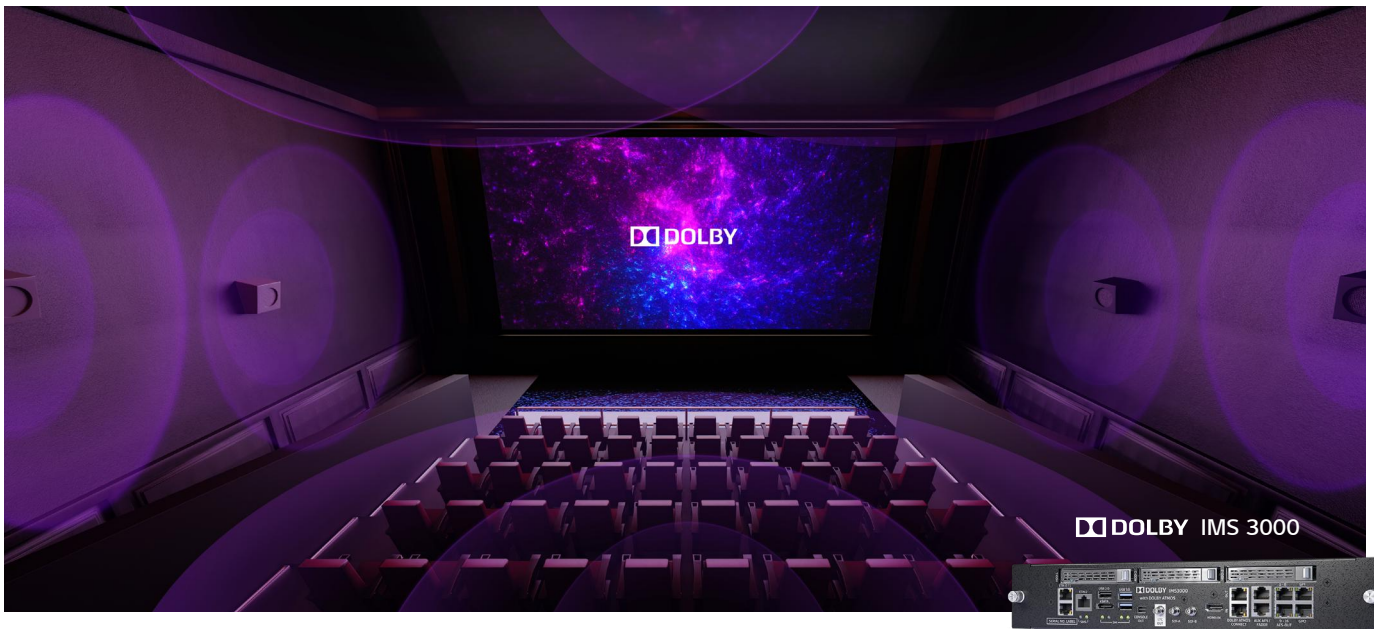
* 3D active glasses (Volfoni, XpanD) are required.



Easy Operation with Intuitive Software

Dedicated management software is on hand to help operators run the new LED screens smoothly and with confidence. Various functions can now be accessed at the touch of a button, including 12 macro input presets, 2D to 3D configuration, brightness settings, and video positioning adjustment.

* The above image is for illustration purposes only. Actual GUI may differ.



Dolby-Compatible LED Screen

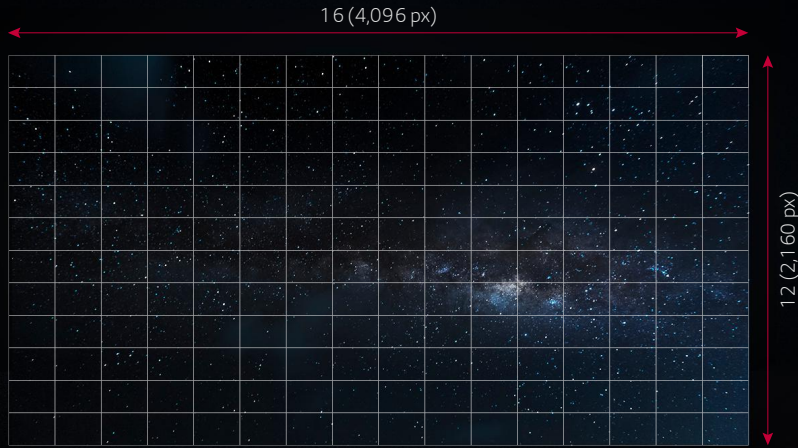
The new LG Miraclass can be quickly and seamlessly integrated into theaters, thanks to its compatibility with Dolby, a global leader in the entertainment industry. Dolby IMS supports stable and professional content operation, while the combination of Dolby Atmos sound and LG picture quality makes movies truly memorable.

* Dolby, Dolby Atmos and the double-D symbol are registered trademarks of Dolby Laboratories.

SCREEN CONFIGURATION

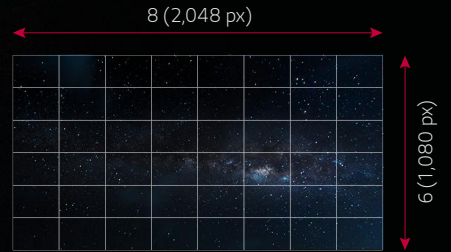
4K Screen (192 Cabinets)

10.2 m × 5.4 m (55 sqm)



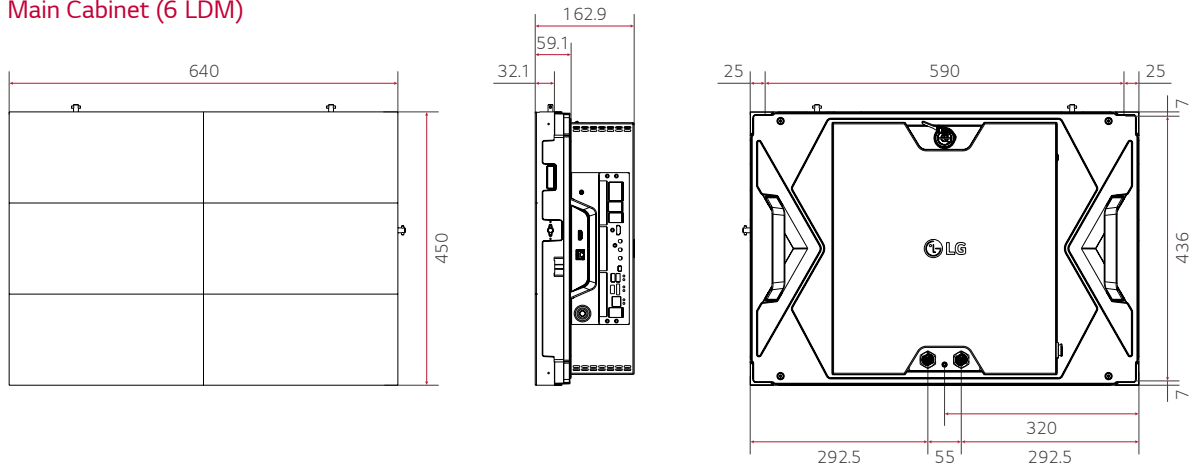
2K Screen (48 Cabinets)

5.1 m × 2.7 m (14 sqm)

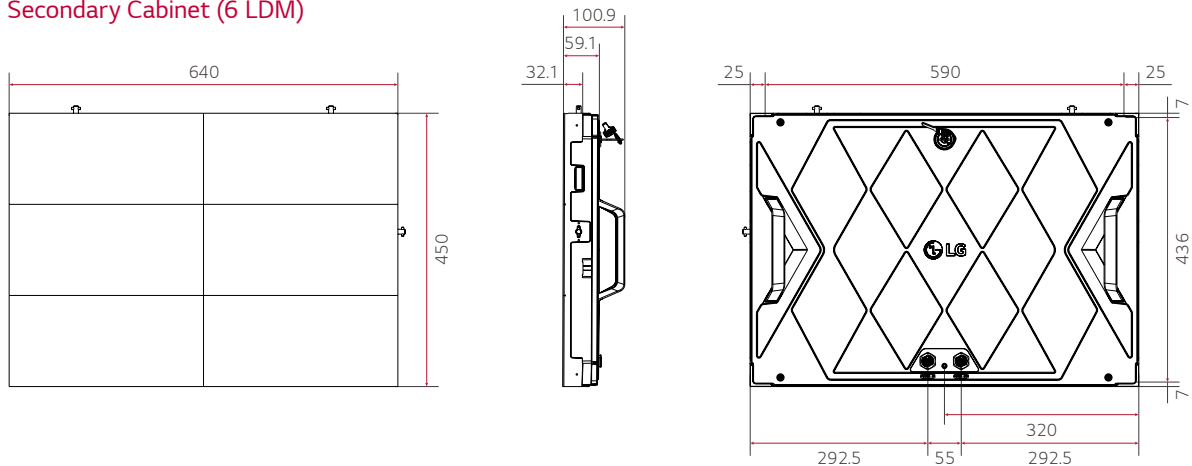


CABINET DIMENSION

Main Cabinet (6 LDM)



Secondary Cabinet (6 LDM)



* Dimensions may differ from the above image, so please contact LG sales team to verify before ordering.

SPECIFICATIONS

		LDAA025	LDAA025-1
Pixel	Pitch (mm)	2.5	2.5
	LED Type	SMD	SMD
	Lifetime (Typical)	100,000 Hours	100,000 Hours
Cabinet	Modules (W x H, ea)	6 (2x3)	6 (2x3)
	Resolution (W x H, px)	256 x 180	256 x 180
	Material	Aluminum	Aluminum
	Dimension (W x H x D, mm)	Main : 640 x 450 x 59 (163 w/Back Cover) Secondary : 640 x 450 x 59 (101 w/Handle)	Main : 640 x 450 x 59 (163 w/Back Cover) Secondary : 640 x 450 x 59 (101 w/Handle)
	Weight (kg)	Main : 13.8 Secondary : 7.5	Main : 13.8 Secondary : 7.5
	Power Consumption Typical (watts, 48 nit)	Main : 130 Secondary : 40	Main : 130 Secondary : 40
	Power Consumption (watts, 300 nit)	Main : 200 Secondary : 80	Main : 200 Secondary : 80
	Service Access	Rear Only	Rear Only
Set	Pixels (W x H, Native)	4,096 x 2,160	2,048 x 1,080
	Resolution (W x H, Active Area)	4,096 x 2,160	2,048 x 1,080
	Pixel Density (px/SQM)	160,000	160,000
	Cabinets (W x H, ea)	192 (16 x 12)	48 (8 x 6)
	Dimension (W x H, mm)	10,240 x 5,400 (55 sqm)	5,120 x 2,700 (14 sqm)
	Weight (kg)	1,847	465
	Power Supply	AC100-240 V ~, 50/60 Hz	AC100-240 V ~, 50/60 Hz
	Power Type	Built-in Power	Built-in Power
	Power Consumption Typical (watts, 48 nit)	7,770	2,010
	Power Consumption (watts, 300 nit)	15,480	3,960
	Operation Temperature	0°C to 40°C	0°C to 40°C
	Operation Humidity	10% to 80%	10% to 80%
	Storage Temperature	-20°C to 60°C (-4°F to 140°F)	-20°C to 60°C (-4°F to 140°F)
Storage Humidity	5% to 85%	5% to 85%	
General	Frame (Video) Rate (Hz)	24, 25, 30, 48, 50, 60, 144 @ 3D	24, 25, 30, 48, 50, 60, 144 @ 3D
	Refresh Rate (@ 24 Hz)	3,072 @ 24 Hz, 3,840 @ 60 Hz	3,072 @ 24 Hz, 3,840 @ 60 Hz
	Brightness (nit, w/Calibration)	48 (DCI) / 100 / 130 / 260 / 300	48 (DCI) / 100 / 130 / 260 / 300
	Contrast Ratio	≥4000:1	≥4000:1
	Color Space (Gamut)	DCI P3	DCI P3
	Viewing Angle (H x V)	160 x 160	160 x 160
	Bit Rate (Greyscale Depth)	15 bit @ 24 / 48 / 50 Hz	15 bit @ 24 / 48 / 50 Hz
	Bit Rate (Color Processing / Color)	24 (72 / Total)	24 (72 / Total)
	Chromaticity Uniformity	White Uniformity : within ±0.015 x, ±0.015 y	White Uniformity : within ±0.015 x, ±0.015 y
	Color Temperature (White)	(x, y) = (0.314, 0.351) / DCI-P3 Theater	(x, y) = (0.314, 0.351) / DCI-P3 Theater
	Certification	DCI, CB, CE-LVD/EMC, FCC, ETL/UL, RoHS, REACH	DCI, CB, CE-LVD/EMC, FCC, ETL/UL, RoHS, REACH
	Cinema Server Compatibility	Dolby IMS3-L	Dolby IMS3-L
	Interface	RJ45, HDMI (2), RS-232C	RJ45, HDMI (2), RS-232C

* Specifications are subject to change without notice. Please make sure to check the product manual for details about product usage.



Download
LG C-Display+
Mobile App
Google Play Store

www.lg.com/global/business/information-display
www.youtube.com/c/LGCommercialDisplay
www.facebook.com/LGInformationDisplay
www.linkedin.com/company/LGinformationdisplay
twitter.com/LG_ID_HQ

LG may make changes to specifications and product descriptions without notice. Copyright © 2023 LG Electronics Inc. All rights reserved. "LG Life's Good" is a registered trademark of LG Corp. The names of products and brands mentioned here may be the trademarks of their respective owners.