

CP2308

Small-screen auditoriums | Boutique cinema | Screening rooms

Lowest upfront investment for DCI-compliant cinema with CineLife electronics on screens up to 42 feet wide



Key features:

- › **Easy to operate** – adds UX inspired interface for playback, scheduling and content management
- › **Easy to install** – lightweight all-in-one chassis for flexible mounting
- › **Easy to maintain** – rear access lamp change and reusable filters
- › **Affordable performance** – Christie Xenolite long-life, lower power-consumption lamps
- › **Reliability** – split power operation for use with UPS
- › **Compatibility** – works with Christie and 3rd-party IMBs, accessories and lenses



Integrated screen management system enabling seamless content and booth management with built-in automation controller

CHRISTIE XENOLITE

Industry's longest warranted and most reliable lamps - 99.999% uptime

DIGITAL CINEMA CONFIGURATOR

Help find the right lamp for your projector on our website



Specifications

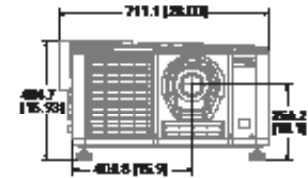
Christie CP2308

Brightness	nominal	• Upto 9000 DCI lumens; 10,000 native lumens
	maximum screen size	• 42' screen ¹
	lamps	<ul style="list-style-type: none"> • 1.4kW (CDXL-14M) 003-003066-XX • 1.6kW (CDXL-16M) 003-003900-XX • 1.9kW (CDXL-19SC) 003-005366-XX • 2.1kW (CDXL-21S1) 003-004258-XX
Contrast ratio		• >1700:1 full field on/off
Supported frame rates		<ul style="list-style-type: none"> • 2D 2K up to 120 fps • 3D 2K up to 60 fps/eye
Digital micromirror device		<ul style="list-style-type: none"> • 0.69" S2K 3-chip DMD DLP Cinema® • 2048 x 1080 pixels (2K)
Number of colors		• 35.2 trillion
Lens mount configuration		• Fully motorized Intelligent Lens System (ILS™)
Lenses		• 1.2 - 1.72 / 1.33 - 2.1 / 1.62 - 2.7 / 2.09 - 3.9
Power input requirements		<ul style="list-style-type: none"> • Input A: 200-240VAC @ 50-60Hz 16A max • Input B (UPS): 100-240VAC @ 50-60Hz 4A max
Power consumption		• 3200W max
Lamp power supply		• 700W-2.3kW low-ripple switch mode lamp power supply
Automation		<ul style="list-style-type: none"> • GPIO/Health Connector: x4 opto-isolated GPI (inputs), x4 relay driven GPO (outputs), x1 "Projector Health" status - relay driven output • "Serial-over-Ethernet" based automation
Weight		• As installed: 119lbs max (53.75kg)
Size (LxWxH)		• 27.4 x 27.1 x 15.6" (696 x 688 x 395mm)
Accessories		<ul style="list-style-type: none"> • Christie IMB-S3² • NAS-S2 4TB storage • NAS-S3 5.4TB storage • 90-degree extraction duct adapter • Rack mount stand

¹ Maximum screen size depends upon various factors such as screen gain, lamp age, geometry, etc. Consult your Christie representative for detailed analysis. Measured at screen center.

² Supports 3rd party IMB models from Dolby, GDC and others. Please contact Christie for updated compatibility list.

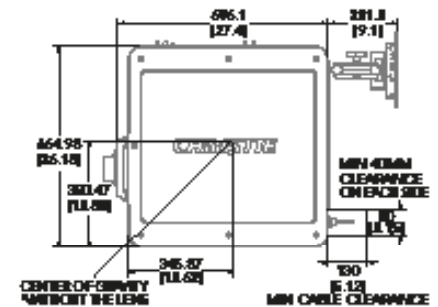
Front view



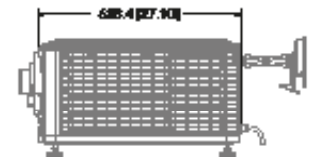
Side view



Top view



Side view



Corporate offices

Christie Digital Systems USA, Inc.
Cypress
PH: +1 714-236-8610

Christie Digital Systems Canada Inc.
Kitchener
PH: +1 519-744-8005

Worldwide offices

Australia
PH: +61 (0) 7 3624 4888

Brazil
PH: +55 11 3181-2952

China (Beijing)
PH: +86 10 6561 0240

China (Shanghai)
PH: +(8621) 6030 0500

Colombia
PH: +57 (315) 652-9620

Germany
PH: +49 221 99 512-0

India
PH: +91 (080) 6708 9999

Mexico
PH: +52 (55) 4744-1791

Singapore
PH: +65 6877 8737

South Korea
PH: +82 2 702 1601

Spain
PH: +34 (0) 91 633 99 90

United Arab Emirates
PH: +971 (0) 4 503 6800

United Kingdom
PH: +44 (0) 118 977 8000

United States (Arizona)
PH: +1 602-943-5700

For the most current specification information, please visit christiedigital.com

Copyright 2022 Christie Digital Systems USA, Inc. All rights reserved. Our centers of excellence for manufacturing in Kitchener, Ontario, Canada and in Shenzhen, China are ISO 9001:2015 Quality Management System-certified. All brand names and product names are trademarks, registered trademarks or tradenames of their respective holders. "Christie" is a trademark of Christie Digital Systems USA, Inc., registered in the United States of America and certain other countries. DLP® and the DLP logo are registered trademarks of Texas Instruments. Performance specifications are typical. Due to constant research, specifications are subject to change without notice.
CD2982-CINE0098-CP2308-Datasheet-Oct-22-EN-US

